



Micro Commercial Components

Micro Commercial Components  
20736 Marilla Street Chatsworth  
CA 91311  
Phone: (818) 701-4933  
Fax: (818) 701-4939

# BAT42WS BAT43WS

## Schottky Barrier Diode 200mW

### Features

- Fast Switching Speed
- Surface Mount Package Ideally Suited for Automatic Insertion
- Low Forward Voltage Drop.

### Mechanical Data

- Case Material: Molded Plastic. UL Flammability Classification Rating 94V-0 and MSL Rating 1
- Polarity: Indicated by Cathode Band
- Marking: BAT42WS S7  
BAT43WS S8
- Lead Free Finish/RoHS Compliant ("P" Suffix designates RoHS Compliant. See ordering information)

### Maximum Ratings @ 25°C Unless Otherwise Specified

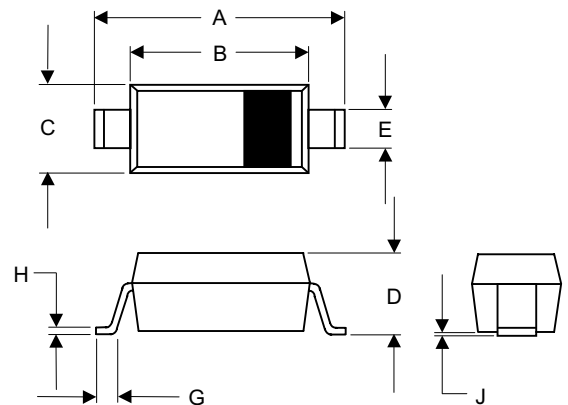
Characteristic	Symbol	Value	Unit
Peak Repetitive Reverse Voltage	$V_{RRM}$		
Working Peak Reverse Voltage	$V_{RWM}$	30	V
DC Blocking Voltage	$V_R$		
RMS Reverse Voltage	$V_{R(RMS)}$	21	V
Forward Continuous Current(Note1)	$I_{FM}$	200	mA
Average Rectified Output Current	$I_o$	100	mA
Repetitive Peak Forward Surge Current @ $t < 1.0s$	$I_{FRM}$	500	mA
Non-Rep. Peak Forward Surge Current @ $t < 10ms$	$I_{FSM}$	4	A
Power Dissipation	$P_d$	200	mW
Thermal Resistance(Note 1)	R	625	K/W
Operation/Storage Temp. Range	$T_j, T_{STG}$	-55 to +125	°C

### Electrical Characteristics @ 25°C Unless Otherwise Specified

Charateristic	Symbol	Min	Max	Unit	Test Cond.
Forward Voltage Drop(Note2)	$V_{FM}$	----	1.0	V	$I_F=200mA$
All Types		----	0.40		
BAT42WS		----	0.65		
BAT43WS		0.26	0.33		
BAT43WS		----	0.45		
Maximum Peak Reverse Current	$I_{RM}$	----	500	nA	$V_R=25V$
			100	uA	$V_R=25V T_j=100^\circ C$
Junction Capacitance	$C_j$	----	10	pF	$V_R=1V, f=1.0MHz$
Reverse Recovery Time	$t_{rr}$	----	5	ns	$I_F=I_R=10mA$ $I_{rr}=0.1I_R$ $R_L=100\Omega$

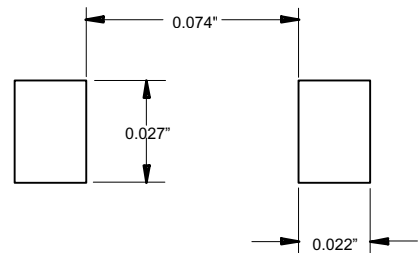
Notes: 1. Valid provided that terminals are kept at ambient temperature  
2.  $t_c=300\mu s$ , duty cycle $\leq 2\%$

### SOD323



DIM	INCHES		MM		NOTE
	MIN	MAX	MIN	MAX	
A	.090	.107	2.30	2.70	
B	.063	.071	1.60	1.80	
C	.045	.053	1.15	1.35	
D	.031	.045	0.80	1.15	
E	.010	.016	0.25	0.40	
G	.004	.018	0.10	0.45	
H	.004	.010	0.10	0.25	
J	----	.006	----	0.15	

### SUGGESTED SOLDER PAD LAYOUT





Micro Commercial Components

## Ordering Information

Device	Packing
(Part Number)-TP	Tape&Reel;3Kpcs/Reel

**\*\*\*IMPORTANT NOTICE\*\*\***

*Micro Commercial Components Corp.* reserves the right to make changes without further notice to any product herein to make corrections, modifications, enhancements, improvements, or other changes. *Micro Commercial Components Corp.* does not assume any liability arising out of the application or use of any product described herein; neither does it convey any license under its patent rights, nor the rights of others. The user of products in such applications shall assume all risks of such use and will agree to hold *Micro Commercial Components Corp.* and all the companies whose products are represented on our website, harmless against all damages.

**\*\*\*APPLICATIONS DISCLAIMER\*\*\***

Products offer by *Micro Commercial Components Corp.* are not intended for use in Medical, Aerospace or Military Applications.